

HSDC-251 Series

HSDC-251NE

High Speed PTZ Dome, x250, TDN, DSS, BMB, NTSC

HSDC-251PE

High Speed PTZ Dome, x250, TDN, DSS, BMB, PAL

HSDC-251NXE

High Speed PTZ Dome, x250, TDN, DSS, BMB, Ex-view CCD, NTSC

HSDC-251PXE

High Speed PTZ Dome, x250, TDN, DSS, BMB, Ex-view CCD, PAL

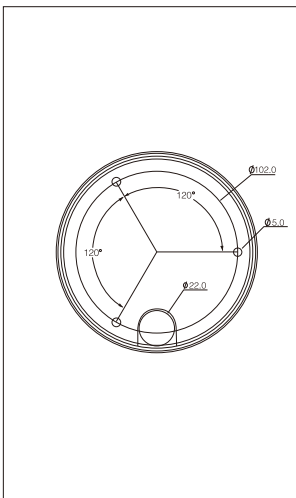


Built-in Optical Zoom Lens

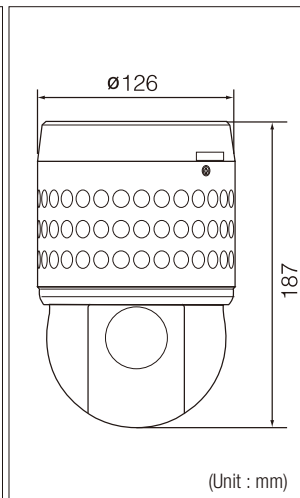
KEY FEATURES

- Built-in x25 optical power zoom lens (Total : x250 zoom with digital x10 zoom)
- Built-in Super HAD CCD(Sony) or Exview CCD(Sony)
- True night shot function with IR cut filter removal mechanism
- 248 Presets : programmed with view direction, focus, iris and BLC
- 4 Patterns : record and play back user preference of surveillance path up to 240 sec.
- 16 Scans : 8 speed steps(1 to 8) for Scan with two speed steps for DiagonalScan(Slow/Medium)
- 8 Tours : each tour consists up to 64 Presets, Patterns, Scans and other Tours
- 8 Alarm inputs with 0-8 priority / 2 Auxiliary outputs programmable NC/NO
- 8 Privacy Zones : video off or up to masked block with selectable 8 colors
- 64 steps of variable speed for panning from 0.1°/sec. to 90°/sec.
- Maximum manual speed 360°/sec. with Turbo key pressed, Preset speed : 380°/sec.
- Minimum adjustable angle is 0.0375° with SingleStep move function
- Programmable user preferences of speed (Slow / Medium / Fast)
- Addressable up to 999 camera IDs (Extend up to 3999 setting at factory menu)
- Built-in RS-485/RS-422 receiver driver
- On-site software upgrade and upload/download of programmed data into the Keyboard/Dome
- Built-in power-line surge protection and lightning protection
- Capable of fail-safe hot swap
- Supporting multiple protocol
- Smooth 180° tilting with digital flip function

INSTALLATION



DIMENSIONS



(Unit : mm)

SPECIFICATIONS

Model No.	HSDC-251 Series	
Image sensor	HSDC-251NE :1/4" Super HAD color CCD (Sony), NTSC HSDC-251PE :1/4" Super HAD color CCD (Sony), PAL HSDC-251NXE:1/4" Exview color CCD (Sony), NTSC HSDC-251PXE:1/4" Exview color CCD (Sony), PAL	
Effective Pixels	NTSC : 768 (H) x 494 (V), Approx. 380k Pixels PAL : 752 (H) x 582 (V), Approx. 440k Pixels	
Horizontal resolution	NTSC : 480 TV Lines, PAL : 470 TV Lines	
Video output	Composite (1.0Vp-p), 75 Ω, BNC	
Minimum illumination	HSDC-251NE/PE	1.0 lx (30IRE) 0.1 lx (IR filter OFF, 128 Fields) 0.001 lx (IR Filter ON, 128 Fields) 0.0001 lx (IR filter OFF, 128 Fields)
	HSDC-251NXE/PXE	0.8 lx (30 IRE) 0.05 lx (IR Filter OFF) 0.008 lx (IR Filter ON, 128 Fields) 0.0005 lx (IR Filter OFF, 128 Fields)
S/N ratio	More than 50dB (AGC OFF)	
Digital Slow Shutter	ON / OFF, (x2 ~ x510 Variable)	
White Balance	Manual / Auto / Indoor / Outdoor / One push / ATW	
Backlight Compensation	BLC ON, AUTO & BMB (7 level)	
Zoom ratio	Optical : x25(Total x250)	
F-number	F1.6 (wide) ~ F3.7 (tele)	
Focal length	f=3.8mm ~ 95mm	
Dome size	4.8"	
Angle	Pan : 360° continuous rotation / Tilt : 0°-180°	
Speed	Manual	0.1° to 90°/sec. (proportional to zoom)
	With Turbo key	Maximum 360°/sec.
	Preset	Maximum 380°/sec., 64 steps of variable speed (0.1° to 90°/sec.)
Minimum adjustable angle	0.0375° with single step	
Repeatability	0.2°	
Flip	Rotate 180° at bottom of tilt	
Scan	16 Scan include DiagonalScan /1 Auto pan	
Preset position	248 positions with focus, iris, & BLC setting	
Tour	8 tours, Consisting 64 preset, pattern, scan & other tour	
Pattern	4 patterns, maximum duration : 240 sec	
Input voltage	18 to 30VAC, 24VAC nominal, built-in power-line surge	
Power requirement	24VAC/VDC, 850mA maximum	
Power consumption	Maximum 20W	
Alarm	Input	8 Normal dry contact (Selectable NC/NO)
	Output	2 Normal relays 24VDC/1A max. (Selectable NC/NO)
Control	RS-485/RS-422 Baud rate : 2400-38400bps (default : 9600bps)	
Access time	0.75 second maximum preset recall time	
ID (camera address)	Maximum 999 IDs Expandable up to 3999 setting at factory menu	
Operating temperature	0°C to 50°C	
Storage temperature	-20°C to 60°C	
Humidity	Under 90 % RH (non-condensing)	
Material	Dome bubble	Acrylic
	Body	Aluminum
Color	Dome bubble	Clear
	Body	Black
Size	126(ø)x187(H) mm	
Weight	Approx. 1.2 kg	
Certification	FCC, CE	

CAMERA

DOME

LENS

HD SOLUTION

DVR

EXPLOSION PROOF

ACCESSORIES